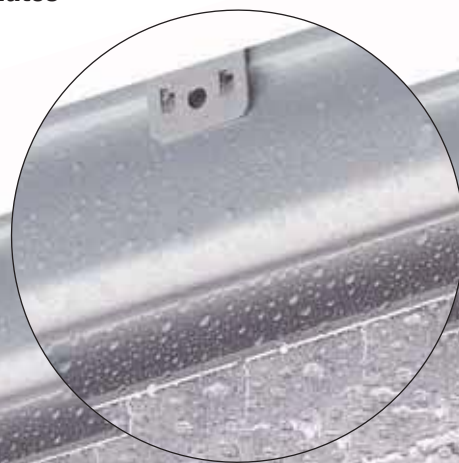


- Easy maintenance, easily accessible push-fit lampholders with captive push-fit lampholders and lamp covers
- Push-fit lampholders for T8/26 mm FL-lamps with silver-plated contacts

- Easy lamp replacement due to lamp insertion aid for T5/16 mm lamps
- Push-fit lampholders for T5/16 mm FL-lamps



- Variable mounting points using the Pracht Clip System and pre-formed mounting plates



Product Advantages Bernina



- Convex variant, lentiform face side version with interior prisms, wide beam



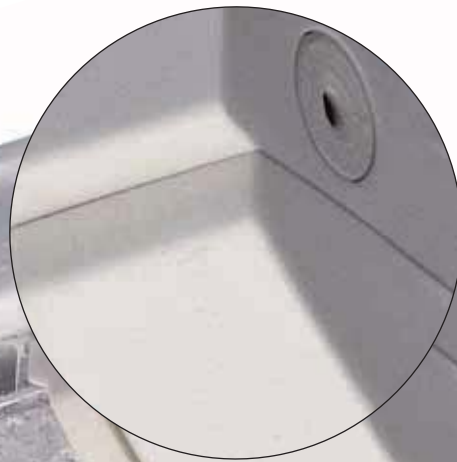
90
Extremely low overall height

- Typical Pracht appearance through stepped lamp cover

80
Extremely low overall height



- Flat version, clear, narrow beam



- Easy maintenance of electronic ballasts with concealed XXL-cover L = 360 mm





Bernina luminaire system T5/T8

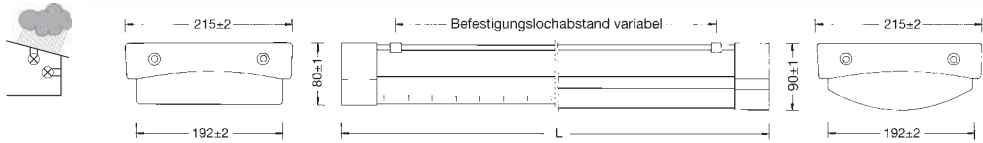
for FL T5/16 mm or T8/26 mm, single-lamp
 for recessed, semi-recessed mounting or installation in panelled or curved ceilings

Housing: Polyester, white, fiberglass-reinf., essentially fully resistant to acids and alkalis.
Socket end pieces: One-piece push-fit lampholder end pieces made of PBT.
Socket: Two-slot plug-in socket with silver-plated contacts.
Lamp cover: Acrylic glass (PMMA), polycarbonate (PC, impact-resistant). (see covers!) **Only operate luminaire with a fitted lamp cover!**
Seals: Short, age-resistant silicone seals.
Electrical components: Low loss ballast B1 starter; electronic ballast; through-wiring max. 7 x 2.5 mm².
Installation: Variable mounting points using the Pracht Clip System made of stainless steel. Suited for ceiling and recessed mounting, pendant or horizontal wall mounting.



Only operate luminaire with a lamp cover (see pages 184–187)!

Protection class II acc. to VDE 0711/EN 60598
 Ingress protection IP65
 Dust-proof
 Jet-proof
 230V/50 Hz



Type (VDE designation)	Watt	Inductive	Compensated	Electronic ballast	L (mm)	Weight (kg)
		Art.-No.	Art.-No.	Art.-No.		
Luminaire housing for single mounting, for T8-lamp, without cover, with connection compartment, for through-wiring (see below) (available only with flat or convex lamp cover, please complete with accessories!)						
PFA 2000/1	1 x 18	661 8-0	661 8-1	661 8-3	664±2	4.4
PFA 2000/3	1 x 36	663 6-0	663 6-1	663 6-3	1274±2	6.0
PFA 2000/5	1 x 58	665 8-0	665 8-1	665 8-3	1574±2	7.2

Type (VDE designation)	Watt	High efficiency (HE) EVG	Watt	High output (HO) EVG	L (mm)	Weight (kg)
		Art.-No.		Art.-No.		
Luminaire housing for single installation, for T5-lamp, without cover, with connection compartment, for through-wiring (see below) (available only with flat or convex lamp cover, please complete with accessories!)						
PFA 2000/..	1 x 14 HE	661 4-3	1 x 24 HO	662 4-3	623±2	3.9
PFA 2000/..	1 x 21 HE	662 1-3	1 x 39 HO	663 9-3	923±2	5.2
PFA 2000/..	1 x 28 HE	662 8-3	1 x 54 HO	665 4-3	1223±2	5.9
PFA 2000/..	1 x 35 HE	663 5-3	1 x 49 HO	664 9-3	1523±2	6.9
PFA 2000/..			1 x 80 HO	668 0-3	1523±2	6.9

Note: All luminaire housings for the Bernina luminaire system may be delivered with the following through-wiring options:

Please complete the Art.-No. at the 5th digit „“:	Digit	Extra cost
Without through-wiring	0	
Through-wiring 2 x 1.5 mm ²	1	
Through-wiring 2 x 2.5 mm ²	2	
Through-wiring 3 x 1.5 mm ²	3	
Through-wiring 3 x 2.5 mm ²	4	
Through-wiring 4 x 1.5 mm ²	5	
Through-wiring 4 x 2.5 mm ²	6	
Through-wiring 5 x 1.5 mm ²	7	
Through-wiring 5 x 2.5 mm ²	8	
Through-wiring 5 x 1.5 mm ² + 2 x 1.5 mm ²	9	
El.bal. Dim 1–10V (add extra cost to el. bal. version)	T5 + T8	685 004
El.bal. Dim Dali (add extra cost to el. bal. version)	T5 + T8	685 005
El.bal. Industry (add extra cost to el. bal. version)	T5 + T8	685 006

Areas of application: Transportation, airports, underpasses, low-ceilinged rooms, decoration of reception and access areas, panelled ceilings Modul 100, car park entrance driveways, canopies, railway platforms, tubular lighting systems (upon request).



Bernina T5 with flat lamp cover interior white cross blade louver (CBL).



Details on how to install the lamp cover are supplied with lamp. **Retaining strap:** Aids first-time installation and when changing lamps, not suited for continuous duty!

Replacement and accessory parts for the Bernina luminaire T5/T8

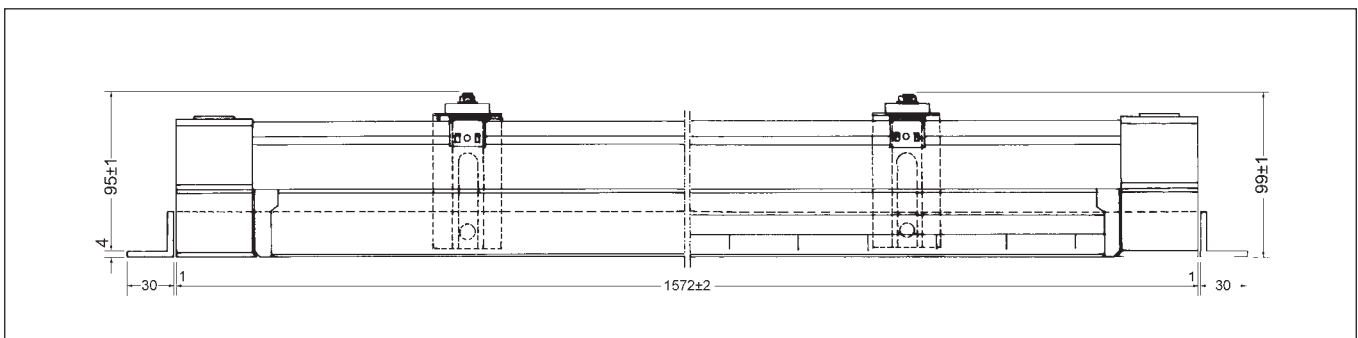
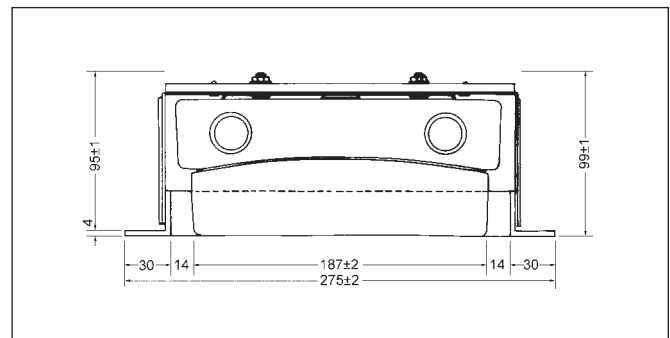
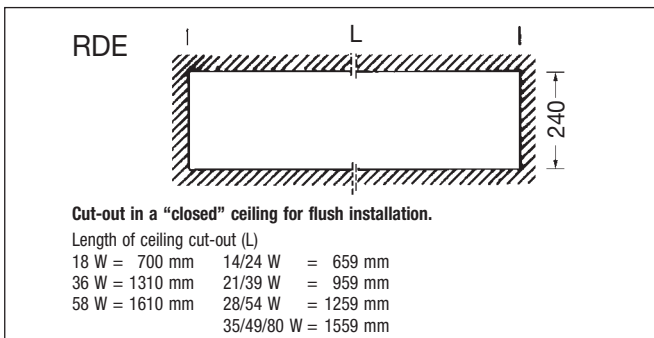
for FL T5/16 mm and FL T8/26 mm



Designation		Art.-No.	
Replacement lampholders			
Replacement push-fit lampholder, convex, with screws		6971 100	
Replacement push-fit lampholder, flat, with screws			6971 101
Replacement seal for push-fit lampholder, silicone			6971 102
Replacement mounting clips, stainless steel			6971 103

Designation	Type	18 Watt	36 Watt	58 Watt
		Art.-No.	Art.-No.	Art.-No.
Accessories				
Deos safety starter	15–30 W	690 063		
Deos safety starter	30–65 W	690 062	690 062	
Electronic safety starter	S2E / 4–20 W	692 031		
Electronic safety starter	S10E / 30–65 W	691 030	691 030	
Note: When installing the Bernina luminaire as recessed luminaire in curved or panelled ceilings, please select the following frames. Please choose these also for semi-recessed installation, so that the convex cover may protrude from the ceiling – please ask us for details!				
RDE		619 418	619 436	619 458
DKR		619 518	619 536	619 558

Designation	Type	14/24 Watt	21/39 Watt	28/54 Watt	35/49/80 Watt
		Art.-No.	Art.-No.	Art.-No.	Art.-No.
Note: When installing the Bernina luminaire as recessed luminaire in curved or panelled ceilings, please select the following frames. Please choose these also for semi-recessed installation, so that the convex cover may protrude from the ceiling – please ask us for details!					
RDE		619 424	619 439	619 454	619 480
DKR		619 524	619 539	619 554	619 580
Built in ceiling recessed frame made of satin stainless steel upon request.					





Bernina lamp covers T8

for FL T8/26 mm, convex with interior specular reflector



Caution: Lamp cover only!
 Use the separate Art.-No. on page 182 to order the basic luminaire body!

Utmost energy efficiency owing to modern **pralux**® engineering!

Retaining strap: Aids first-time installation and when changing lamps, not suited for continuous duty!

Designation	Type	18 Watt	36 Watt	58 Watt	
		Art.-No.	Art.-No.	Art.-No.	
Cover convex, wide beam, clear, with interior prisms (PRIS), with stainless steel centering and retaining springs					
Acrylic glass, clear	BABG-PLEX	6691 801	6693 601	6695 801	pralux®
Acrylic glass, clear, interior prisms	BABG-PLEX-PRIS	6691 811	6693 611	6695 811	pralux®
Polycarbonate, clear	BABG-MAK	6691 821	6693 621	6695 821	pralux®
Polycarbonate, clear, interior prisms	BABG-MAK-PRIS	6691 831	6693 631	6695 831	pralux®
Cover convex, wide beam, with interior cross-blade louver, white, upon request, with stainless steel centering and retaining springs					
Acrylic glass, clear, CBL	BABG-PLEX-QLR	6691 804	6693 604	6695 804	pralux®
Acrylic glass, clear, interior prisms, CBL	BABG-PLEX-PRIS-QLR	6691 814	6693 614	6695 814	pralux®
Polycarbonate, clear, CBL	BABG-MAK-QLR	6691 824	6693 624	6695 824	pralux®
Polycarbonate, clear, interior prisms, CBL	BABG-MAK-PRIS-QLR	6691 834	6693 634	6695 834	pralux®
Cover convex, wide beam, with interior dark-light louver, mirrored, with stainless steel centering and retaining springs					
Acrylic glass, clear, DLL	BABG-PLEX-DLR	6691 807	6693 607	6695 807	pralux®
Acrylic glass, clear, interior prisms, DLL	BABG-PLEX-PRIS-DLR	6691 817	6693 617	6695 817	pralux®
Polycarbonate, clear, DLL	BABG-MAK-DLR	6691 827	6693 627	6695 827	pralux®
Polycarbonate, clear, interior prisms, DLL	BABG-MAK-PRIS-DLR	6691 837	6693 637	6695 837	pralux®
Cover convex, narrow beam, clear, with interior prisms (PRIS), with stainless steel centering and retaining springs					
Acrylic glass, clear	BATG-PLEX	6691 802	6693 602	6695 802	pralux®
Acrylic glass, clear, interior prisms	BATG-PLEX-PRIS	6691 812	6693 612	6695 812	pralux®
Polycarbonate, clear	BATG-MAK	6691 822	6693 622	6695 822	pralux®
Polycarbonate, clear, interior prisms	BATG-MAK-PRIS	6691 832	6693 632	6695 832	pralux®
Cover convex, narrow beam, with interior dark-light louver, mirrored, with stainless steel centering and retaining springs					
Acrylic glass, clear, DLL	BATG-PLEX-DLR	6691 808	6693 608	6695 808	pralux®
Acrylic glass, clear, interior prisms, DLL	BATG-PLEX-PRIS-DLR	6691 818	6693 618	6695 818	pralux®
Polycarbonate, clear, DLL	BATG-MAK-DLR	6691 828	6693 628	6695 828	pralux®
Polycarbonate, clear, interior prisms, DLL	BATG-MAK-PRIS-DLR	6691 838	6693 638	6695 838	pralux®
Cover convex, asymmetric beam, clear, with interior prisms (PRIS), with stainless steel centering and retaining springs					
Acrylic glass, clear	BASG-PLEX	6691 803	6693 603	6695 803	pralux®
Acrylic glass, clear, interior prisms	BASG-PLEX-PRIS	6691 813	6693 613	6695 813	pralux®
Polycarbonate, clear	BASG-MAK	6691 823	6693 623	6695 823	pralux®
Polycarbonate, clear, interior prisms	BASG-MAK-PRIS	6691 833	6693 633	6695 833	pralux®
Cover convex, asymmetric beam, interior cross-blade louver, white, upon request, with stainless steel centering and retaining springs					
Acrylic glass, clear, CBL	BASG-PLEX-QLR	6691 806	6693 606	6695 806	pralux®
Acrylic glass, clear, interior prisms, CBL	BASG-PLEX-PRIS-QLR	6691 816	6693 616	6695 816	pralux®
Polycarbonate, clear, CBL	BASG-MAK-QLR	6691 826	6693 626	6695 826	pralux®
Polycarbonate, clear, interior prisms, CBL	BASG-MAK-PRIS-QLR	6691 836	6693 636	6695 836	pralux®
Cover convex, asymmetric beam, with interior dark-light louver, mirrored, with stainless steel centering and retaining springs					
Acrylic glass, clear, DLL	BASG-PLEX-DLR	6691 809	6693 609	6695 809	pralux®
Acrylic glass, clear, interior prisms, DLL	BASG-PLEX-PRIS-DLR	6691 819	6693 619	6695 819	pralux®
Polycarbonate, clear, DLL	BASG-MAK-DLR	6691 829	6693 629	6695 829	pralux®
Polycarbonate, clear, interior prisms, DLL	BASG-MAK-PRIS-DLR	6691 839	6693 639	6695 839	pralux®
Sample order:					
Bernina 1x58 W, electronic ballast, through-wiring 4x1.5 mm ² , convex cover T8, interior prisms made of acrylic glass:					
Art.-No.: 665 853 + 6695 811					

Bernina lamp covers T5

for FL T5/16 mm, convex with interior specular reflector, single-lamp, with lamp insertion aid

Note the burn-in recommendations issued by the lamp manufacturer!

Total height
90 mm

Caution: Lamp cover only!
Use the separate Art.-No. on page 182 to order the basic luminaire body!



Utmost energy efficiency owing to modern **pralux**® engineering!

Retaining strap: Aids first-time installation and when changing lamps, not suited for continuous duty!

Designation	Type	14/24 Watt	21/39 Watt	28/54 Watt	35/49/80 Watt	
		Art.-No.	Art.-No.	Art.-No.	Art.-No.	
Cover convex, wide beam, clear, with interior prisms (PRIS), with stainless steel centering and retaining springs						
Acrylic glass, clear	BABG-PMMA	6692 401	6693 901	6695 401	6698 001	pralux®
Acrylic glass, clear, interior ribbing	BABG-PMMA-PRIS	6692 411	6693 911	6695 411	6698 011	pralux®
Polycarbonate, clear	BABG-MAK	6692 421	6693 921	6695 421	6698 021	pralux®
Polycarbonate, clear, interior ribbing	BABG-MAK-PRIS	6692 431	6693 931	6695 431	6698 031	pralux®
Cover convex, wide beam, interior cross-blade louver, white, upon request, with stainless steel centering and retaining springs						
Acrylic glass, clear, CBL	BABG-PMMA-QLR	6692 404	6693 904	6695 404	6698004	pralux®
Acrylic glass, clear, interior ribbing, CBL	BABG-PMMA-PRIS-QLR	6692 414	6693 914	6695 414	6698 014	pralux®
Polycarbonate, clear, CBL	BABG-MAK-QLR	6692 424	6693 924	6695 424	6698 024	pralux®
Polycarbonate, clear, interior ribbing, CBL	BABG-MAK-PRIS-QLR	6692 434	6693 934	6695 434	6698 034	pralux®
Cover convex, wide beam, with interior dark-light louver, mirrored, with stainless steel centering and retaining springs						
Acrylic glass, clear, DLL	BABG-PMMA-DLR	6692 407	6693 907	6695407	6698 007	pralux®
Acrylic glass, clear, interior ribbing, DLL	BABG-PMMA-PRIS-DLR	6692 417	6693 917	6695417	6698 017	pralux®
Polycarbonate, clear, DLL	BABG-MAK-DLR	6692 427	6693 927	6695427	6698 027	pralux®
Polycarbonate, clear, interior ribbing, DLL	BABG-MAK-PRIS-DLR	6692 437	6693 937	6695437	6698 037	pralux®
Cover convex, narrow beam, clear, with interior prisms (PRIS), with stainless steel centering and retaining springs						
Acrylic glass, clear	BATG-PMMA	6692 402	6693 902	6695 402	6698 002	pralux®
Acrylic glass, clear, interior ribbing	BATG-PMMA-PRIS	6692 412	6693 912	6695 412	6698 012	pralux®
Polycarbonate, clear	BATG-MAK	6692 422	6693 922	6695 422	6698 022	pralux®
Polycarbonate, clear, interior ribbing	BATG-MAK-PRIS	6692 432	6693 932	6695 432	6698 032	pralux®
Cover convex, narrow beam, with interior dark-light louver, mirrored, with stainless steel centering and retaining springs						
Acrylic glass, clear, DLL	BATG-PMMA-DLR	6692 408	6693 908	6695 408	6698 008	pralux®
Acrylic glass, clear, interior ribbing, DLL	BATG-PMMA-PRIS-DLR	6692 418	6693 918	6695 418	6698 018	pralux®
Polycarbonate, clear, DLL	BATG-MAK-DLR	6692 428	6693 928	6695 428	6698 028	pralux®
Polycarbonate, clear, interior ribbing, DLL	BATG-MAK-PRIS-DLR	6692 438	6693 938	6695 438	6698 038	pralux®
Cover convex, asymmetric beam, clear, with interior prisms (PRIS), with stainless steel centering and retaining springs						
Acrylic glass, clear	BASG-PMMA	6692 403	6693 903	6695 403	6698 003	pralux®
Acrylic glass, clear, interior ribbing	BASG-PMMA-PRIS	6692 413	6693 913	6695 413	6698 013	pralux®
Polycarbonate, clear	BASG-MAK	6692 423	6693 923	6695 423	6698 023	pralux®
Polycarbonate, clear, interior ribbing	BASG-MAK-PRIS	6692 433	6693 933	6695 433	6698 033	pralux®
Cover convex, asymmetric beam, with interior cross-blade louver, white, upon request, with stainless steel centering and retaining springs						
Acrylic glass, clear, CBL	BASG-PMMA-QLR	6692 406	6693 906	6695 406	6698 006	pralux®
Acrylic glass, clear, interior ribbing, CBL	BASG-PMMA-PRIS-QLR	6692 416	6693 916	6695 416	6698 016	pralux®
Polycarbonate, clear, CBL	BASG-MAK-QLR	6692 426	6693 926	6695 426	6698 026	pralux®
Polycarbonate, clear, interior ribbing, CBL	BASG-MAK-PRIS-QLR	6692 436	6693 936	6695 436	6698 036	pralux®
Cover convex, asymmetric beam, with interior dark-light louver, mirrored, with stainless steel centering and retaining springs						
Acrylic glass, clear, DLL	BASG-PMMA-DLR	6692 409	6693 909	6695 409	6698 009	pralux®
Acrylic glass, clear, interior ribbing, DLL	BASG-PMMA-PRIS-DLR	6692 419	6693 919	6695 419	6698 019	pralux®
Polycarbonate, clear, DLL	BASG-MAK-DLR	6692 429	6693 929	6695 429	6698 029	pralux®
Polycarbonate, clear, interior ribbing, DLL	BASG-MAK-PRIS-DLR	6692 439	6693 939	6695 439	6698 039	pralux®
Sample order:						
Bernina 1 x 80 W, electronic ballast, through-wiring 4 x 1.5 mm ² , cover convex T5, interior prisms made of acrylic glass:						
Art.-No.: 665 853 + 6698 011						

01 Batten luminaires with reflectors
 02 Tubular luminaires
 03 Basic Line
 04 LED
 05 Vandalism
 06 Special luminaires
 07 Industrial luminaires
 08 Surface and recessed luminaires



Bernina lamp covers T8

for FL T8/26 mm, flat with interior specular reflector

Total height 80 mm

Caution: Lamp cover only!
 Use the separate Art.-No. on page 182 to order the basic luminaire body!

Utmost energy efficiency owing to modern **pralux**® engineering!

Retaining strap: Aids first-time installation and when changing lamps, not suited for continuous duty!

Designation	Type	18 Watt	36 Watt	58 Watt	
		Art.-No.	Art.-No.	Art.-No.	
Cover flat, wide beam, clear, with interior prisms (PRIS), with stainless steel centering and retaining springs					
Acrylic glass, clear	BABF-PLEX	6681 801	6683 601	6685 801	pralux®
Acrylic glass, clear, interior prisms	BABF-PLEX-PRIS	6681 811	6683 611	6685 811	pralux®
Polycarbonate, clear	BABF-MAK	6681 821	6683 621	6685 821	pralux®
Polycarbonate, clear, interior prisms	BABF-MAK-PRIS	6681 831	6683 631	6685 831	pralux®
Cover flat, wide beam, with interior cross-blade louver, white, with stainless steel centering and retaining springs					
Acrylic glass, clear, CBL	BABF-PLEX-QLR	6681 804	6683 604	6685 804	pralux®
Acrylic glass, clear, interior prisms, CBL	BABF-PLEX-PRIS-QLR	6681 814	6683 614	6685 814	pralux®
Polycarbonate, clear, CBL	BABF-MAK-QLR	6681 824	6683 624	6685 824	pralux®
Polycarbonate, clear, interior prisms, CBL	BABF-MAK-PRIS-QLR	6681 834	6683 634	6685 834	pralux®
Cover flat, wide beam, with interior dark-light louver, mirrored, with stainless steel centering and retaining springs					
Acrylic glass, clear, DLL	BABF-PLEX-DLR	6681 807	6683 607	6685 807	pralux®
Acrylic glass, clear, interior prisms, DLL	BABF-PLEX-PRIS-DLR	6681 817	6683 617	6685 817	pralux®
Polycarbonate, clear, DLL	BABF-MAK-DLR	6681 827	6683 627	6685 827	pralux®
Polycarbonate, clear, interior prisms, DLL	BABF-MAK-PRIS-DLR	6681 837	6683 637	6685 837	pralux®
Cover flat, narrow beam, clear, with interior prisms (PRIS), with stainless steel centering and retaining springs					
Acrylic glass, clear	BATF-PLEX	6681 802	6683 602	6685 802	pralux®
Acrylic glass, clear, interior prisms	BATF-PLEX-PRIS	6681 812	6683 612	6685 812	pralux®
Polycarbonate, clear	BATF-MAK	6681 822	6683 622	6685 822	pralux®
Polycarbonate, clear, interior prisms	BATF-MAK-PRIS	6681 832	6683 632	6685 832	pralux®
Cover flat, narrow beam, with interior cross-blade louver, white, with stainless steel centering and retaining springs					
Acrylic glass, clear, CBL	BATF-PLEX-QLR	6681 805	6683 605	6685 805	pralux®
Acrylic glass, clear, interior prisms, CBL	BATF-PLEX-PRIS-QLR	6681 815	6683 615	6685 815	pralux®
Polycarbonate, clear, CBL	BATF-MAK-QLR	6681 825	6683 625	6685 825	pralux®
Polycarbonate, clear, interior prisms, CBL	BATF-MAK-PRIS-QLR	6681 835	6683 635	6685 835	pralux®
Cover flat, narrow beam, with interior dark-light louver, mirrored, with stainless steel centering and retaining springs					
Acrylic glass, clear, DLL	BATF-PLEX-DLR	6681 808	6683 608	6685 808	pralux®
Acrylic glass, clear, interior prisms, DLL	BATF-PLEX-PRIS-DLR	6681 818	6683 618	6685 818	pralux®
Polycarbonate, clear, DLL	BATF-MAK-DLR	6681 828	6683 628	6685 828	pralux®
Polycarbonate, clear, interior prisms, DLL	BATF-MAK-PRIS-DLR	6681 838	6683 638	6685 838	pralux®
Cover flat, asymmetric beam, clear, with interior prisms (PRIS), with stainless steel centering and retaining springs					
Acrylic glass, clear	BASF-PLEX	6681 803	6683 603	6685 803	pralux®
Acrylic glass, clear, interior prisms	BASF-PLEX-PRIS	6681 813	6683 613	6685 813	pralux®
Polycarbonate, clear	BASF-MAK	6681 823	6683 623	6685 823	pralux®
Polycarbonate, clear, interior prisms	BASF-MAK-PRIS	6681 833	6683 633	6685 833	pralux®
Cover flat, asymmetric beam, with interior cross-blade louver, white, with stainless steel centering and retaining springs					
Acrylic glass, clear, CBL	BASF-PLEX-QLR	6681 806	6683 606	6685 806	pralux®
Acrylic glass, clear, interior prisms, CBL	BASF-PLEX-PRIS-QLR	6681 816	6683 616	6685 816	pralux®
Polycarbonate, clear, CBL	BASF-MAK-QLR	6681 826	6683 626	6685 826	pralux®
Polycarbonate, clear, interior prisms, CBL	BASF-MAK-PRIS-QLR	6681 836	6683 636	6685 836	pralux®
Cover flat, asymmetric beam, with interior dark-light louver, mirrored, with stainless steel centering and retaining springs					
Acrylic glass, clear, DLL	BASF-PLEX-DLR	6681 809	6683 609	6685 809	pralux®
Acrylic glass, clear, interior prisms, DLL	BASF-PLEX-PRIS-DLR	6681 819	6683 619	6685 819	pralux®
Polycarbonate, clear, DLL	BASF-MAK-DLR	6681 829	6683 629	6685 829	pralux®
Polycarbonate, clear, interior prisms, DLL	BASF-MAK-PRIS-DLR	6681 839	6683 639	6685 839	pralux®
Sample order:					
Bernina 1x58 W, electronic ballast, through-wiring 4x1.5 mm ² , cover flat T8, interior prisms made of acrylic glass:					
Art.-No.: 665 853 + 6685 811					

Bernina lamp covers T5

for FL T5/16 mm, flat with interior specular reflector, single-lamp, with lamp insertion aid

Note the burn-in recommendations issued by the lamp manufacturer!

Total height
80 mm

Caution: Lamp cover only!
Use the separate Art.-No.
on page 182 to order the
basic luminaire body!



Utmost energy efficiency owing to modern **pralux**® engineering!

Retaining strap: Aids first-time installation and when changing lamps, not suited for continuous duty!

Designation	Type	14/24 Watt	21/39 Watt	28/54 Watt	35/49/80 Watt	
		Art.-No.	Art.-No.	Art.-No.	Art.-No.	
Cover flat, wide beam, clear, with interior prisms (PRIS), with stainless steel centering and retaining springs						
Acrylic glass, clear	BABF-PLEX	6682 401	6683 901	6685 401	6688 001	pralux®
Acrylic glass, clear, interior prisms	BABF-PLEX-PRIS	6682 411	6683 911	6685 411	6688 011	pralux®
Polycarbonate, clear	BABF-MAK	6682 421	6683 921	6685 421	6688 021	pralux®
Polycarbonate, clear, interior prisms	BABF-MAK-PRIS	6682 431	6683 931	6685 431	6688 031	pralux®
Cover flat, wide beam, with interior cross-blade louver, white, with stainless steel centering and retaining springs						
Acrylic glass, clear, CBL	BABF-PLEX-QLR	6682 404	6683 904	6685 404	6688 004	pralux®
Acrylic glass, clear, interior prisms, CBL	BABF-PLEX-PRIS-QLR	6682 414	6683 914	6685 414	6688 014	pralux®
Polycarbonate, clear, CBL	BABF-MAK-QLR	6682 424	6683 924	6685 424	6688 024	pralux®
Polycarbonate, clear, interior prisms, CBL	BABF-MAK-PRIS-QLR	6682 434	6683 934	6685 434	6688 034	pralux®
Cover flat, wide beam, with interior dark-light louver, mirrored, with stainless steel centering and retaining springs						
Acrylic glass, clear, DLL	BABF-PMMA-DLR	6682 407	6683 907	6685 407	6688 007	pralux®
Acrylic glass, clear, interior prisms, DLL	BABF-PMMA-PRIS-DLR	6682 417	6683 917	6685 417	6688 017	pralux®
Polycarbonate, clear, DLL	BABF-MAK-DLR	6682 427	6683 927	6685 427	6688 027	pralux®
Polycarbonate, clear, interior prisms, DLL	BABF-MAK-PRIS-DLR	6682 437	6683 937	6685 437	6688 037	pralux®
Cover flat, narrow beam, clear, with interior prisms (PRIS), with stainless steel centering and retaining springs						
Acrylic glass, clear	BATF-PLEX	6682 402	6683 902	6685 402	6688 002	pralux®
Acrylic glass, clear, interior prisms	BATF-PLEX-PRIS	6682 412	6683 912	6685 412	6688 012	pralux®
Polycarbonate, clear	BATF-MAK	6682 422	6683 922	6685 422	6688 022	pralux®
Polycarbonate, clear, interior prisms	BATF-MAK-PRIS	6682 432	6683 932	6685 432	6688 032	pralux®
Cover flat, narrow beam, with interior cross-blade louver, white, with stainless steel centering and retaining springs						
Acrylic glass, clear, CBL	BATF-PLEX-QLR	6682 405	6683 905	6685 405	6688 005	pralux®
Acrylic glass, clear, interior prisms, CBL	BATF-PLEX-PRIS-QLR	6682 415	6683 915	6685 415	6688 015	pralux®
Polycarbonate, clear, CBL	BATF-MAK-QLR	6682 425	6683 925	6685 425	6688 025	pralux®
Polycarbonate, clear, interior prisms, CBL	BATF-MAK-PRIS-QLR	6682 435	6683 935	6685 435	6688 035	pralux®
Cover flat, narrow beam, with interior dark-light louver, mirrored, with stainless steel centering and retaining springs						
Acrylic glass, clear, DLL	BATF-PMMA-DLR	6682 408	6683 908	6685 408	6688 008	pralux®
Acrylic glass, clear, interior prisms, DLL	BATF-PMMA-PRIS-DLR	6682 418	6683 918	6685 418	6688 018	pralux®
Polycarbonate, clear, DLL	BATF-MAK-DLR	6682 428	6683 928	6685 428	6688 028	pralux®
Polycarbonate, clear, interior prisms, DLL	BATF-MAK-PRIS-DLR	6682 438	6683 938	6685 438	6688 038	pralux®
Cover flat, asymmetric beam, clear, with interior prisms (PRIS), with stainless steel centering and retaining springs						
Acrylic glass, clear	BASF-PLEX	6682 403	6683 903	6685 403	6688 003	pralux®
Acrylic glass, clear, interior prisms	BASF-PLEX-PRIS	6682 413	6683 913	6685 413	6688 013	pralux®
Polycarbonate, clear	BASF-MAK	6682 423	6683 923	6685 423	6688 023	pralux®
Polycarbonate, clear, interior prisms	BASF-MAK-PRIS	6682 433	6683 933	6685 433	6688 033	pralux®
Cover flat, asymmetric beam, with interior cross-blade louver, white, with stainless steel centering and retaining springs						
Acrylic glass, clear, CBL	BASF-PLEX-QLR	6682 406	6683 906	6685 406	6688 006	pralux®
Acrylic glass, clear, interior prisms, CBL	BASF-PLEX-PRIS-QLR	6682 416	6683 916	6685 416	6688 016	pralux®
Polycarbonate, clear, CBL	BASF-MAK-QLR	6682 426	6683 926	6685 426	6688 026	pralux®
Polycarbonate, clear, interior prisms, CBL	BASF-MAK-PRIS-QLR	6682 436	6683 936	6685 436	6688 036	pralux®
Cover flat, asymmetric beam, with interior dark-light louver, mirrored, with stainless steel centering and retaining springs						
Acrylic glass, clear, DLL	BASF-PMMA-DLR	6682 409	6683 909	6685 409	6688 009	pralux®
Acrylic glass, clear, interior prisms, DLL	BASF-PMMA-PRIS-DLR	6682 419	6683 919	6685 419	6688 019	pralux®
Polycarbonate, clear, DLL	BASF-MAK-DLR	6682 429	6683 929	6685 429	6688 029	pralux®
Polycarbonate, clear, interior prisms, DLL	BASF-MAK-PRIS-DLR	6682 439	6683 939	6685 439	6688 039	pralux®
Sample order:						
Bernina 1 x 80 W, electronic ballast, through-wiring 4 x 1.5 mm ² , cover flat T5, interior prisms made of acrylic glass:						
Art.-No.: 665 853 + 6688 011						

01 Batter luminaires with reflectors
 02 Tubular luminaires
 03 Basic Line
 04 LED
 05 Vandalism
 06 Special luminaires
 07 Industrial luminaires
 08 Surface and recessed luminaires

