

LUMINAIRES

ORIENTIS

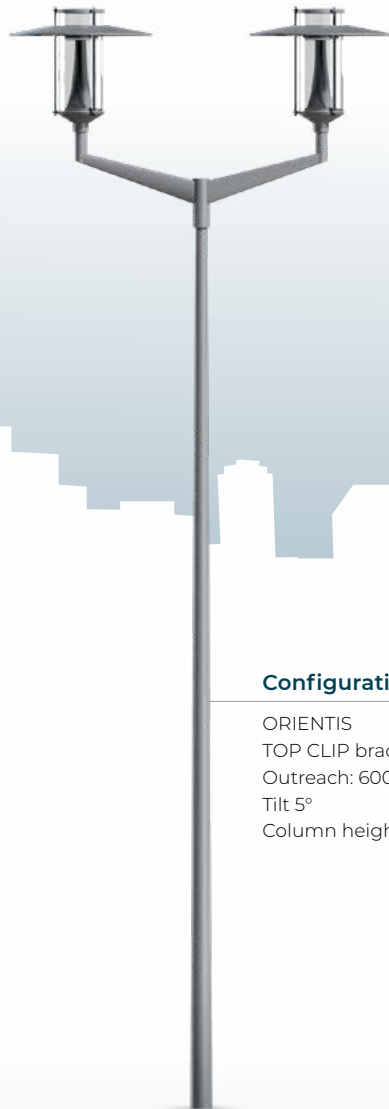
Design: GHM





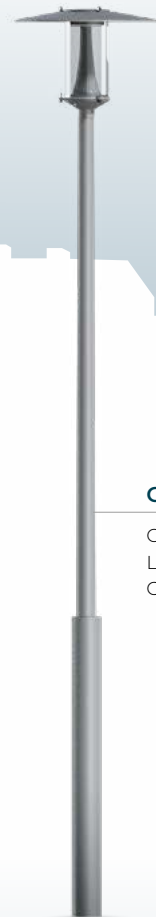
Configuration

ORIENTIS
Totem column: 4,70 m



Configuration

ORIENTIS
TOP CLIP bracket
Outreach: 600 mm
Tilt 5°
Column height: 5 m



Configuration

ORIENTIS H
LUXEM column
Column height: 4 m

ORIENTIS

Design: GHM



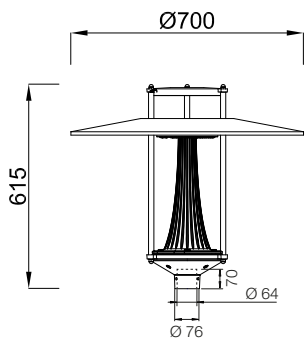
ORIENTIS

DESCRIPTION

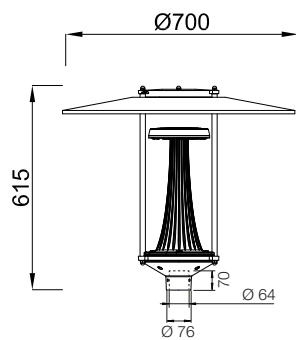
Product name	ORIENTIS
Housing	Injected aluminium bottom and cap Circular conical dome \varnothing 700 mm in spun aluminium, underside painted in white RAL 9010 - Stainless steel rods High cap version = Orientis H
Bowl	Polycarbonate
Finish	Polyester powder coating, any colour available
Impact protection	IK 08
Ingress Protection	IP66 Extruded silicone gasket Entry sleeve Breathing system with activated carbon filter
Dimensions (dia x h)	700 x 615 mm
Weight	7.1kg
Windage area	0.15m ²
Materials used	Aluminium 82% Steel 6% Plastic 7% Other 5%
Electrical class	Class I or II
Wiring	Luminaire pre-wired in the factory

DIMENSIONS

ORIENTIS



ORIENTIS H





ORIENTIS H

SOURCES & PHOTOMETRIC DISTRIBUTIONS

ORIENTIS

Sources	ZEDLED B
Colour temperature	3000 K or 4000 K
Optical Distribution	ORALENS: ERS, ERL, ECL
Power supply current	Adjustable up to 700 mA

E/L/P: Lighting/Luminance/Projection, **R/C/T/F/P:** Road/Circular/Pavement/Beam/Zebra crossing, **E/S/L/A/D/G:** Narrow/Standard/Wide/Asymmetrical/Right/Left



ZEDLED B module

OPTIONS

ORIENTIS

At the lighting point

Adjustable current (driver or bottom of the pole)	√
Dimming (driver, bottom of the pole or Bluetooth)	√
Built-in detection	-
Remote detection	√
DALI protocol	√
Smart-Ready® configuration (ZD4i)	√

In a local network

Communicating detection with pilot wire	√
Wireless communication sensing	√

Remote management

WIZARD CMS system	-
-------------------	---

Details of the functions available on pages 272 to 279 and in the LED synopsis located on under the flap on the front cover

MECHANICAL INTERFACES



Post-top fastening on pole Ø 60/62 mm, with 6 screws



For pole Ø 76 mm top, optional spigot C (cf p 280)

MAINTENANCE

Opening and closing

Opening of the luminaire by unlocking and rotating the cover.

Maintenance

Access to the LED module by lifting the diffuser and locking it in the high position with a hook.

