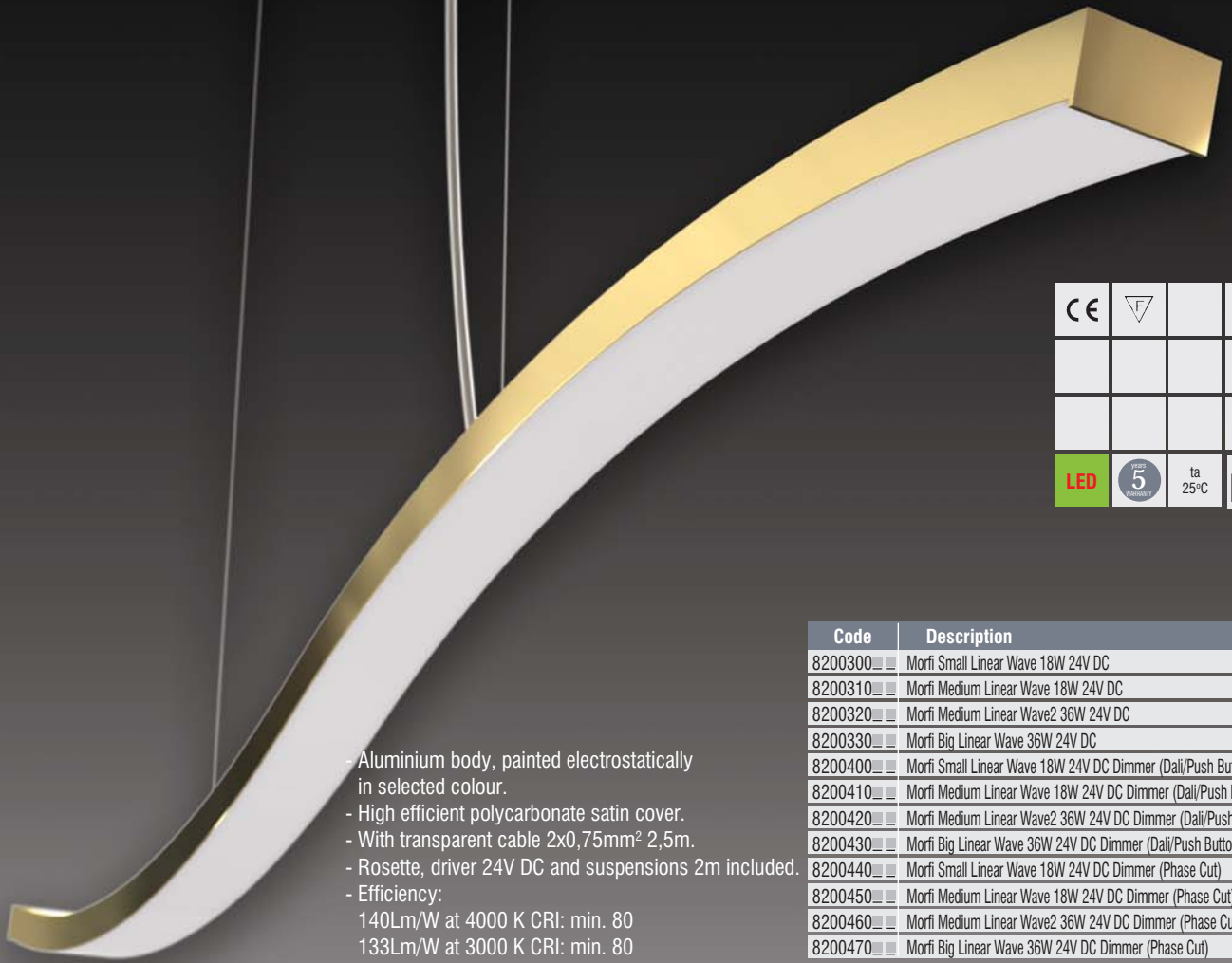


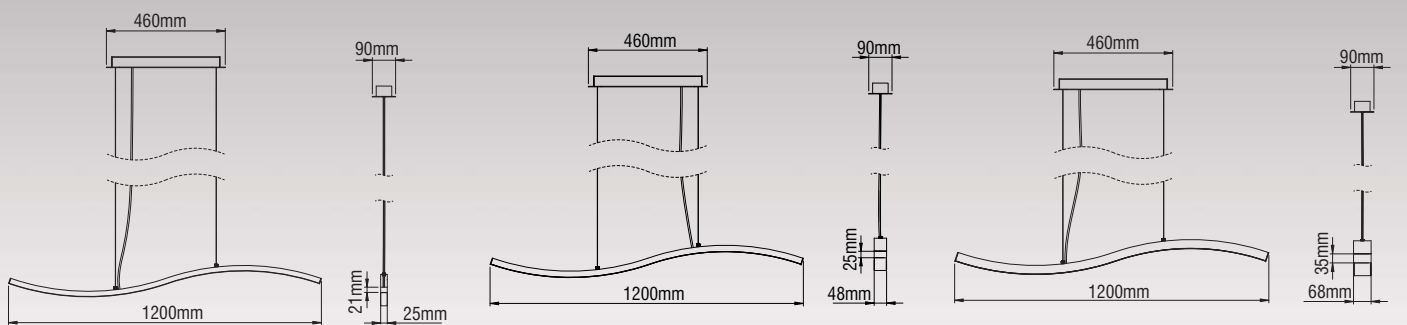
MORFI WAVE



CE	F		IP 20
LED	5 YEARS WARRANTY	ta 25°C	24VDC

- Aluminium body, painted electrostatically in selected colour.
- High efficient polycarbonate satin cover.
- With transparent cable 2x0,75mm<sup>2</sup> 2,5m.
- Rosette, driver 24V DC and suspensions 2m included.
- Efficiency:  
140Lm/W at 4000 K CRI: min. 80  
133Lm/W at 3000 K CRI: min. 80

Code	Description
8200300	Morfi Small Linear Wave 18W 24V DC
8200310	Morfi Medium Linear Wave 18W 24V DC
8200320	Morfi Medium Linear Wave2 36W 24V DC
8200330	Morfi Big Linear Wave 36W 24V DC
8200400	Morfi Small Linear Wave 18W 24V DC Dimmer (Dali/Push Button)
8200410	Morfi Medium Linear Wave 18W 24V DC Dimmer (Dali/Push Button)
8200420	Morfi Medium Linear Wave2 36W 24V DC Dimmer (Dali/Push Button)
8200430	Morfi Big Linear Wave 36W 24V DC Dimmer (Dali/Push Button)
8200440	Morfi Small Linear Wave 18W 24V DC Dimmer (Phase Cut)
8200450	Morfi Medium Linear Wave 18W 24V DC Dimmer (Phase Cut)
8200460	Morfi Medium Linear Wave2 36W 24V DC Dimmer (Phase Cut)
8200470	Morfi Big Linear Wave 36W 24V DC Dimmer (Phase Cut)





Please note: The manufacturer reserves the right during the delivery period to make changes to the design, form, colour or specification, provided these changes, while taking into account the interests of the vendor, can be deemed reasonable with respect to the purchaser. Where the vendor or the manufacturer uses symbols or numbers to describe an order or the subject of an order, no rights may be derived solely from these. The illustrations may include accessories and optional extras which do not form part of the standard specification. Colours may differ slightly from those shown, owing to the limitations of the printing process. This brochure is distributed internationally.