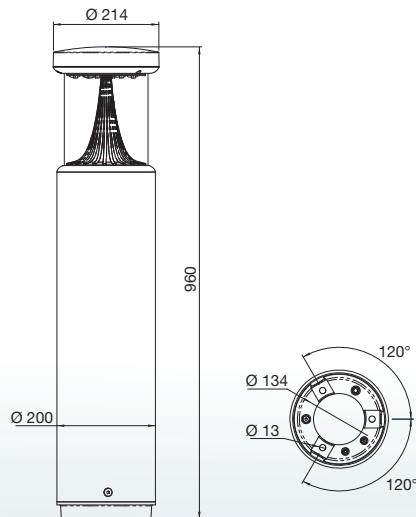


TEAM

Design: ECLATEC



DESCRIPTION

Product name	TEAM
Housing	Aluminium profile 200 mm tube Die-cast aluminium cap
Bowl	Polycarbonate
Finish	Polyester powder coating, any colour available
Impact protection	IK 10 - 60 Joules
Ingress Protection	IP 66 Module
Dimensions (dia x h)	214 x 960 mm
Weight	14.2kg
Materials used	Aluminium 60%, Steel 28%, Plastic 7%, Other 5%
Electrical class	Class I or II

SOURCES & PHOTOMETRIC DISTRIBUTIONS

TEAM	
Sources	TEAM
Colour temperature	3000 K, 4000 K
Optical Distribution	ORALENS: EAH, ECL
Power supply current	Adjustable up to 700 mA ⁽¹⁾

⁽¹⁾ I > 700mA possible on request
E/L/P: Lighting/Luminance/Projection, R/C/T/F/P: Road/Circular/Pavement/Beam/Zebra crossing, E/S/L/A/D/G: Narrow/Standard/Wide/Asymmetrical/Right/Left

INSTALLATION



Cast iron base
Internal fixing using 3 anchor rods, Ø 12 mm on Ø 134 mm

MAINTENANCE

Opening and closing Access to the LED module and equipment by removal of the profiled tube

OPTIONS

	TEAM
At the lighting point	
Adjustable current (driver or bottom of the pole)	✓
Dimming (driver, bottom of the pole or Bluetooth)	✓
Built-in detection	✓
Remote detection	✓
DALI protocol	✓
Smart-Ready® configuration (ZD4i)	✓
In a local network	
Communicating detection with pilot wire	✓
Wireless communication sensing	✓
Remote management	
WIZARD CMS system (MCD module)	✓

Details of the functions available on pages 272 to 279 and in the LED synopsis located on under the flap on the front cover

