

LUMINAIRES

SCOOP

Design: Michel TORTEL



**Configuration**

Mât Ø 76 mm
Column height: 5 m

**Configuration**

Stepped column Ø 114-76 mm
Column height: 4 m

**Configuration**

CHANDELIER wall bracket
Outreach: 500 mm

SCOOP

Design: Michel TORTEL

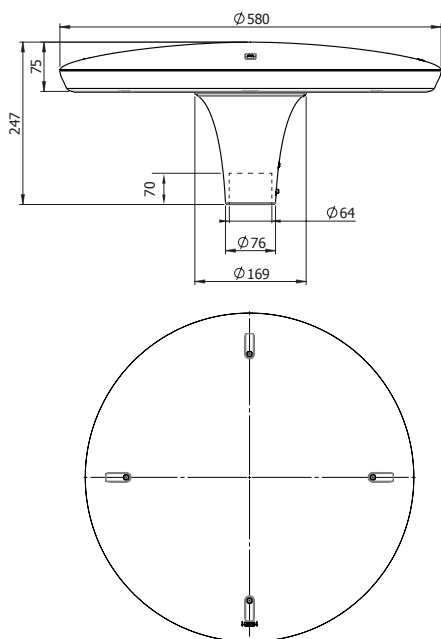


SCOOP

DESCRIPTION

Product name	SCOOP / SCOOP KEA
Segmentation	Models available in 3 levels: - 1E: Unique version for standard use - 2E A: Fixed settings for night dimming - 2EB: Fixed current setting at 700 mA, without options - 3E: Most efficient and customizable version
Housing	Injection die-cast aluminium body
Bowl	SCOOP: Flat polycarbonate transparent bowl SCOOP KEA: Structured polycarbonate transparent bowl
Finish	1E: 7035 RAL 2E, 3E: Polyester powder coating, any colour available
Impact protection	IK10
Ingress Protection	IP66 Extruded silicone gasket Cable gland with anchoring device Breathing system with activated carbon filter
Dimensions (dia x h)	580 x 247 mm
Weight	8kg
Windage area	0,06m ²
Materials used	Aluminium 77% Plastic 17% Steel 5% Other 1%
Electrical class	Class I or II

DIMENSIONS



SCOOP KEA

SOURCES & PHOTOMETRIC DISTRIBUTIONS

SCOOP

Sources	SCOOP
Colour temperature	3000 K or 4000 K
Optical Distribution	Specific lenses
	1E: ERS, ERL 2E, 3E: ERL, ERS, ECL
Power supply current	1E: 700 mA
	2E A / B: A: ANF ⁽²⁾ / B: 700 mA
	3E: Up to 700 mA ⁽¹⁾

(1) I > 700mA possible on request (2) **ANF**: Unique program for driver, Fixed Night Dimming: 23 h – 5 h at 350 mA and 700 mA for the remaining time
E/L/P: Lighting/Luminance/Projection, **R/C/T/F/P**: Road/Circular/Pavement/Beam/Zebra crossing,
E/S/L/A/D/G: Narrow/Standard/Wide/Asymmetrical/Right/Left



Sources SCOOP

MECHANICAL INTERFACES



Top cover fixing at the top of the Ø 60/62 mm pole, locked using 2 screws



Top cover pass through fixing with specific tip at the top of the Ø 60/62 mm pole, locked using 2 screws



Top cover pass through fixing with specific tip (see page 278) at the top of the Ø 76 mm pole, locked using 2 screws

REDUCED FLUX VERSION WITH TWO PCBs



Only available for level 1E

OPTIONS

3E version: SCOOP

At the lighting point

Adjustable current (driver or bottom of the pole)	✓
Dimming (driver, bottom of the pole or Bluetooth)	✓
Built-in detection	✓
Remote detection	✓
DALI protocol	✓
Smart-Ready® configuration (ZD4i)	✓

In a local network

Communicating detection with pilot wire	✓
Wireless communication sensing	✓

Remote management

WIZARD CMS system	✓
-------------------	---

Details of the functions available on pages 272 to 279 and in the LED synopsis located on under the flap on the front cover

MAINTENANCE

Electric equipment maintenance

Direct access to the luminaire after removing the cover with 4 concealed screws (the cover is held by a safety line)

Maintenance sources

In keeping with the state of the art (initial assembly in dedicated rooms for reasons of cleanliness, static control and waterproofing...) it is not recommended to carry out maintenance in the field unless absolutely necessary

