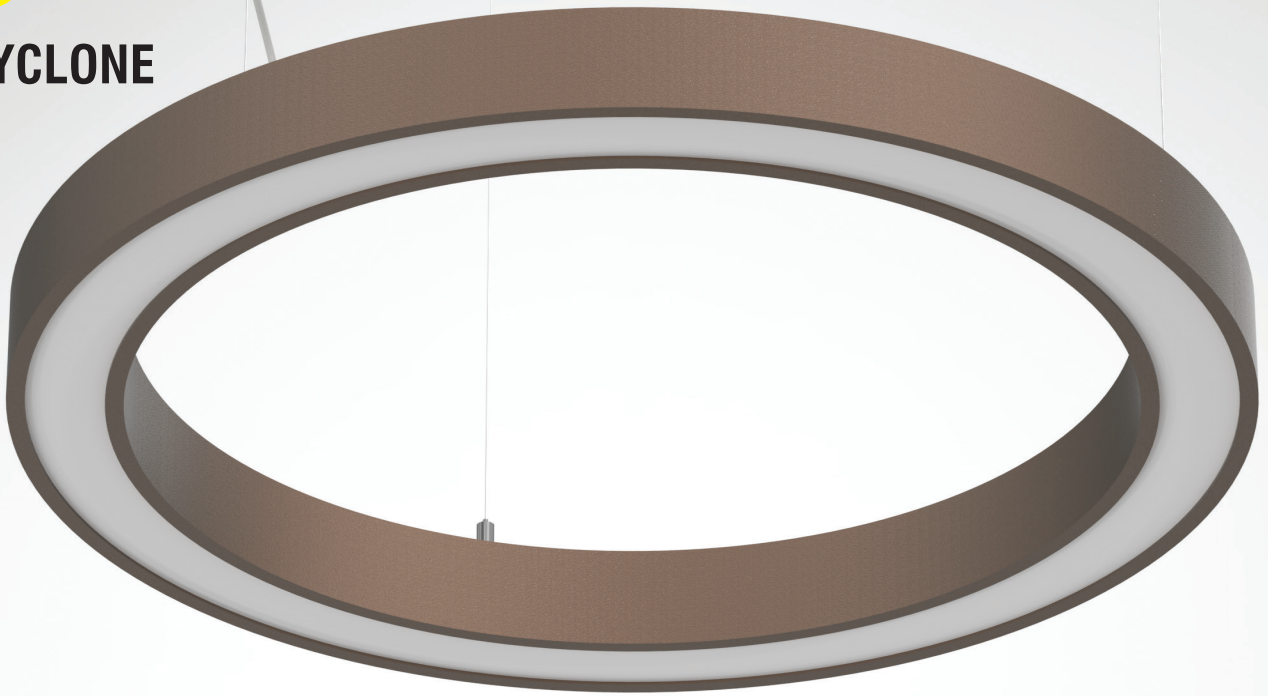


# CYCLONE



*This luminaire combines the architectural style with the efficiency. It produces perfect lighting conditions without annoying reflections and that is why it can be used from entrance areas to offices. It escapes the restrictions of the T16 lamp by using LED lighting points that can have any spacing pitch and this gives the light line enormous flexibility.*

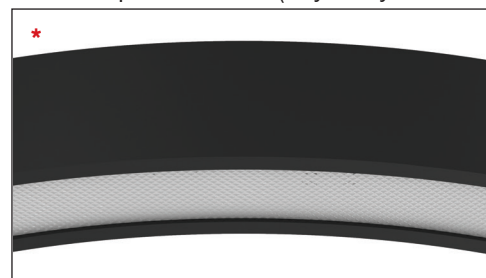
*The visual benefit: The continuous-row system is illuminated absolutely uniformly from beginning to end, is economically efficient, is maintenance-free and it has long service life.*

## Technical Features

- Aluminium body, painted electrostatically in selected colour.
- High efficient satin cover.
- Direct illumination.
- Pure light without IR/UV radiation.
- Operation life: 50,000 hours with efficiency > 80% of the initial luminous flux (L80B10).
- Connection for operation on 230V-50/60Hz.

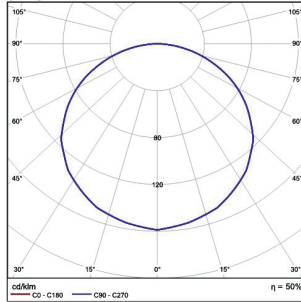
## Upon request:

- Connection for emergency lighting system, for one or three hours.
- With microprismatic cover (only for Cyclone Slim version) \*.



# CYCLONE

## CYCLONE



CE

F

CB

IP 20

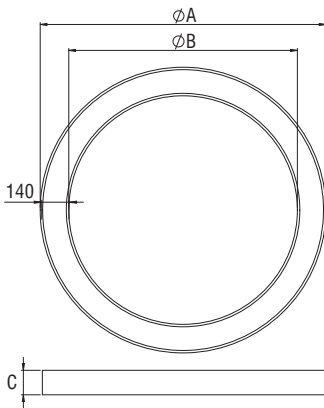
LED

5 YEARS WARRANTY

ta  
25°C

Included

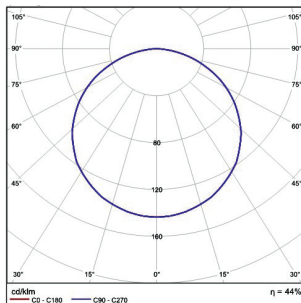
- Aluminium body, painted electrostatically in selected colour.
- High efficient satin cover.
- CRI: min. 80 / SDCM: 3
- Luminous Efficacy:  
164Lm/W at 4000K 300mA  
157Lm/W at 3000K 300mA
- Upon request in Up Down edition.



Code	Description	Dimensions mm		
		ØA	ØB	C
8241012	Cyclone 1 43W Warm	700	420	120
8241013	Cyclone 1 43W Neutral	700	420	120
8241022	Cyclone 2 56W Warm	900	620	120
8241023	Cyclone 2 56W Neutral	900	620	120
8241032	Cyclone 3 79W Warm	1200	920	120
8241033	Cyclone 3 79W Neutral	1200	920	120
8241042	Cyclone 4 92W Warm	1400	1120	120
8241043	Cyclone 4 92W Neutral	1400	1120	120

For dimmer version add letter "D" at the end of product code.

## CYCLONE SLIM



CE

F

CB

IP 20

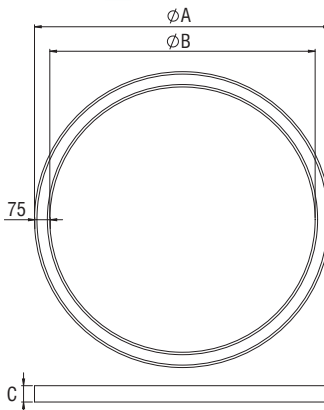
LED

5 YEARS WARRANTY

ta  
25°C

Included

- Aluminium body, painted electrostatically in selected colour.
- High efficient satin cover.
- CRI: min. 80 / SDCM: 3
- Luminous Efficacy:  
164Lm/W at 4000K 300mA  
157Lm/W at 3000K 300mA



Code	Description	Dimensions mm		
		ØA	ØB	C
8241052	Cyclone Slim 1 38W Warm *	600	450	80
8241053	Cyclone Slim 1 38W Neutral *	600	450	80
8241062	Cyclone Slim 2 52W Warm	800	650	80
8241063	Cyclone Slim 2 52W Neutral	800	650	80
8241072	Cyclone Slim 3 79W Warm	1100	950	80
8241073	Cyclone Slim 3 79W Neutral	1100	950	80
8241082	Cyclone Slim 4 99W Warm	1450	1300	80
8241083	Cyclone Slim 4 99W Neutral	1450	1300	80

For dimmer version add letter "D" at the end of product code.

\* At dimmer version the driver is placed out of the body.

**Colour Codes:**

- 0 Colours 1 White 2 Titan 3 Black



# CYCLONE





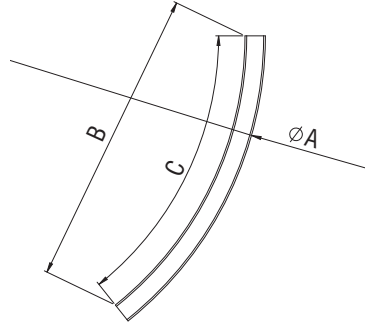
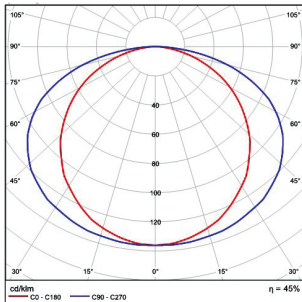
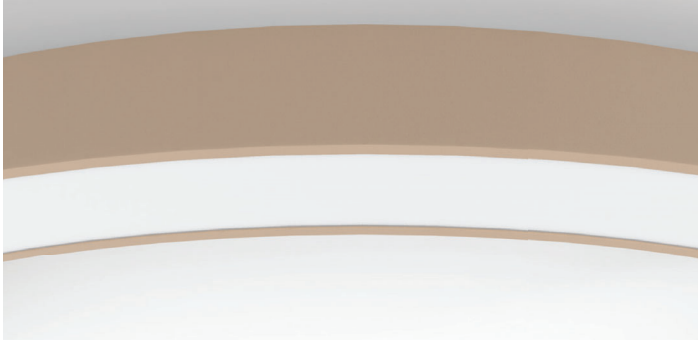
# CYCLONE





# CYCLONE

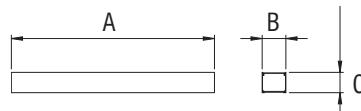
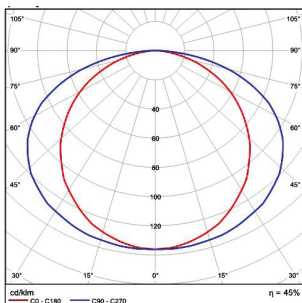
## CYCLONE PART



- Aluminium body, painted electrostatically in selected colour.
- High efficient satin cover.
- CRI: min. 80 / SDCM: 3
- Luminous Efficacy:  
164Lm/W at 4000K 300mA  
157Lm/W at 3000K 300mA
- Upon request in Up Down edition.

Code	Description	Dimensions mm		
		ØA	B	C <sup>(o)</sup>
8241292	Cyclone 5 Part 46W Warm	2000 - 1720	1700	120
8241293	Cyclone 5 Part 46W Neutral	2000 - 1720	1700	120
8241302	Cyclone 6 Part 43W Warm	3000 - 2720	1600	72
8241303	Cyclone 6 Part 43W Neutral	3000 - 2720	1600	72
8241312	Cyclone 7 Part 43W Warm	4000 - 3720	1735	51
8241313	Cyclone 7 Part 43W Neutral	4000 - 3720	1735	51
8241322	Cyclone 8 Part 53W Warm	5000 - 4720	2050	51
8241323	Cyclone 8 Part 53W Neutral	5000 - 4720	2050	51

For dimmer version add letter "D" at the end of product code.



- Aluminium body, painted electrostatically in selected colour.
- High efficient satin cover.
- Luminous Efficacy:  
164Lm/W at 4000K 300mA CRI: min. 80  
157Lm/W at 3000K 300mA CRI: min. 80
- Upon request in Up Down edition.

Code	Description	Dimensions mm		
		A	B	C
8241332	Cyclone 9 Part 29W Warm	1200	140	120
8241333	Cyclone 9 Part 29W Neutral	1200	140	120
8241342	Cyclone 10 Part 16W Warm	600	140	120
8241343	Cyclone 10 Part 16W Neutral	600	140	120
8241352	Cyclone 11 Part 8W Warm	300	140	120
8241353	Cyclone 11 Part 8W Neutral	300	140	120

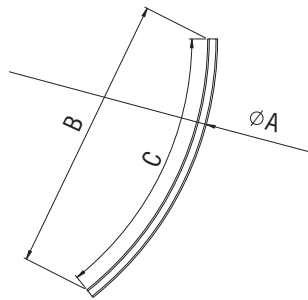
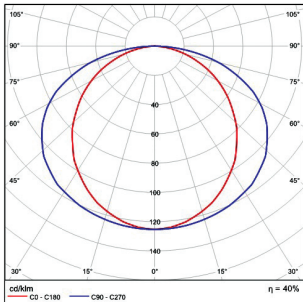
For dimmer version add letter "D" at the end of product code.

### Colour Codes:

0 Colours 1 White 2 Titan 3 Black

# CYCLONE

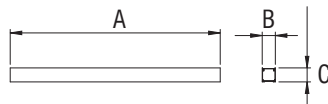
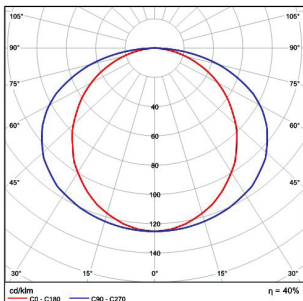
## CYCLONE SLIM PART



- Aluminium body, painted electrostatically in selected colour.
- High efficient satin cover.
- CRI: min. 80 / SDCM: 3
- Luminous Efficacy:  
164Lm/W at 4000K 300mA  
157Lm/W at 3000K 300mA

Code	Description	Dimensions mm		
		ØA	B	C <sup>(o)</sup>
8241362	Cyclone Slim 5 Part 50W Warm	2000 - 1850	1700	120
8241363	Cyclone Slim 5 Part 50W Neutral	2000 - 1850	1700	120
8241372	Cyclone Slim 6 Part 43W Warm	3000 - 2850	1675	72
8241373	Cyclone Slim 6 Part 43W Neutral	3000 - 2850	1675	72
8241382	Cyclone Slim 7 Part 43W Warm	4000 - 3850	1670	51
8241383	Cyclone Slim 7 Part 43W Neutral	4000 - 3850	1670	51
8241392	Cyclone Slim 8 Part 53W Warm	5000 - 4850	2100	51
8241393	Cyclone Slim 8 Part 53W Neutral	5000 - 4850	2100	51

For dimmer version add letter "D" at the end of product code.



- Aluminium body, painted electrostatically in selected colour.
- High efficient satin cover.
- CRI: min. 80 / SDCM: 3
- Luminous Efficacy:  
164Lm/W at 4000K 300mA  
157Lm/W at 3000K 300mA

Code	Description	Dimensions mm		
		A	B	C
8241402	Cyclone Slim 9 Part 29W Warm	1200	75	80
8241403	Cyclone Slim 9 Part 29W Neutral	1200	75	80
8241412	Cyclone Slim 10 Part 16W Warm	600	75	80
8241413	Cyclone Slim 10 Part 16W Neutral	600	75	80
8241422	Cyclone Slim 11 Part 8W Warm	300	75	80
8241423	Cyclone Slim 11 Part 8W Neutral	300	75	80

For dimmer version add letter "D" at the end of product code.

**Colour Codes:**

- 0 Colours   1 White   2 Titan   3 Black



# CYCLONE





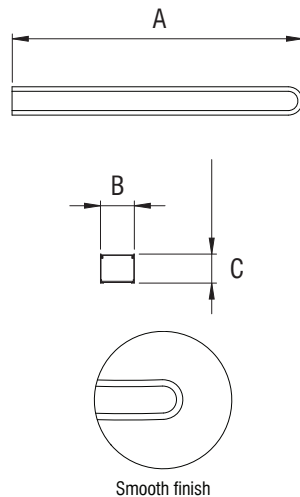
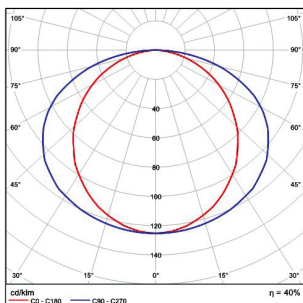
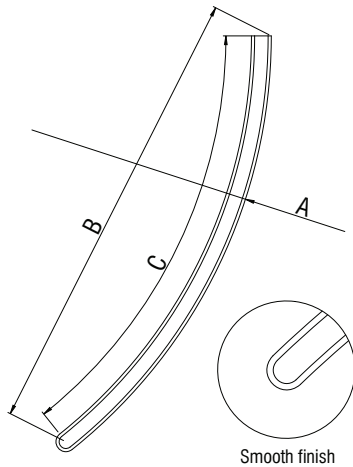
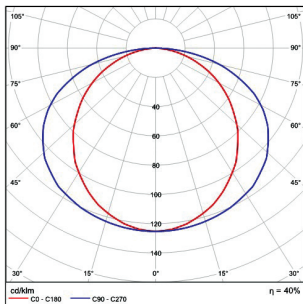
# CYCLONE





# CYCLONE

## CYCLONE SLIM SMOOTH PART



**Colour Codes:**

- 0 Colours
- 1 White
- 2 Titan
- 3 Black



- Aluminium body, painted electrostatically in selected colour.
- High efficient satin cover.
- CRI: min. 80 / SDCM: 3
- Luminous Efficacy:  
164Lm/W at 4000K 300mA  
157Lm/W at 3000K 300mA

**UPON REQUEST**

- In UP DOWN editions.

Code	Description	Dimensions mm		
		∅A	B	C <sup>(0)</sup>
8301362	Cyclone Slim 5 Part Smooth 50W Warm	2000 - 1850	1700	120
8301363	Cyclone Slim 5 Part Smooth 50W Neutral	2000 - 1850	1700	120
8301372	Cyclone Slim 6 Part Smooth 43W Warm	3000 - 2850	1675	72
8301373	Cyclone Slim 6 Part Smooth 43W Neutral	3000 - 2850	1675	72
8301382	Cyclone Slim 7 Part Smooth 43W Warm	4000 - 3850	1670	51
8301383	Cyclone Slim 7 Part Smooth 43W Neutral	4000 - 3850	1670	51
8301392	Cyclone Slim 8 Part Smooth 53W Warm	5000 - 4850	2100	51
8301393	Cyclone Slim 8 Part Smooth 53W Neutral	5000 - 4850	2100	51

For dimmer version add letter "D" at the end of product code.



- Aluminium body, painted electrostatically in selected colour.
- High efficient satin cover.
- CRI: min. 80 / SDCM: 3
- Luminous Efficacy:  
164Lm/W at 4000K 300mA  
157Lm/W at 3000K 300mA

**UPON REQUEST**

- In UP DOWN editions.

Code	Description	Dimensions mm		
		A	B	C
8301402	Cyclone Slim 9 Part Smooth 29W Warm	1200	75	80
8301403	Cyclone Slim 9 Part Smooth 29W Neutral	1200	75	80
8301412	Cyclone Slim 10 Part Smooth 16W Warm	600	75	80
8301413	Cyclone Slim 10 Part Smooth 16W Neutral	600	75	80
8301422	Cyclone Slim 11 Part Smooth 8W Warm	300	75	80
8301423	Cyclone Slim 11 Part Smooth 8W Neutral	300	75	80

For dimmer version add letter "D" at the end of product code.

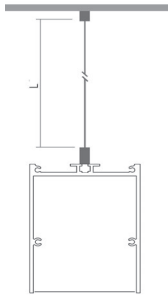
# CYCLONE





# CYCLONE

## SINGLE ADJUSTABLE SUSPENSION



## POWER SUPPLY



## POWER SUPPLY



### Colour Codes:

0 Colours 1 White 2 Titan 3 Black



- Stainless steel cable and regulators.

### - Required:

- 3 pieces for each CYCLONE/CYCLONE SLIM luminaire
- 4 pieces for CYCLONE SLIM SMOOTH luminaire

Code	Description	L	Kg
900111	Single Suspension	500	0,050
900112	Single Suspension	1000	0,100
900113	Single Suspension	1500	0,150
900114	Single Suspension	2000	0,200
900116	Single Suspension	3000	0,300



- Plastic body.

- With transparent cable 3x0,75mm<sup>2</sup> or 5x0,50mm<sup>2</sup> for dimmer.

Code	Description	L	Kg
900122	Power Supply 3x0,75mm <sup>2</sup> with Rosette Ø75	1000	0,120
900124	Power Supply 3x0,75mm <sup>2</sup> with Rosette Ø75	2000	0,240
900126	Power Supply 3x0,75mm <sup>2</sup> with Rosette Ø75	3000	0,360
900127	Power Supply 3x0,75mm <sup>2</sup> with Rosette Ø75	4000	0,500
900162	Power Supply 5x0,50mm <sup>2</sup> with Rosette Ø75	1000	0,120
900164	Power Supply 5x0,50mm <sup>2</sup> with Rosette Ø75	2000	0,240
900166	Power Supply 5x0,50mm <sup>2</sup> with Rosette Ø75	3000	0,360
900167	Power Supply 5x0,50mm <sup>2</sup> with Rosette Ø75	4000	0,500



- For pendant use.

- Body from aluminium profile.

- With transparent cable 3x0,75mm<sup>2</sup> or 5x0,50mm<sup>2</sup> for dimmer.

- Square or round version.

Code	Description	Kg
90042	Power Supply 3x0,75mm <sup>2</sup> L 2m Ø80	0,130
90043	Power Supply 3x0,75mm <sup>2</sup> L 2m Ø70	0,130
90044	Power Supply 3x0,75mm <sup>2</sup> L 2m 80x80	0,210
90045	Power Supply 3x0,75mm <sup>2</sup> L 2m 70x70	0,200
90048	Power Supply 5x0,50mm <sup>2</sup> L 2m Ø100	0,250
90049	Power Supply 5x0,50mm <sup>2</sup> L 2m 100x100	0,300