



Ø 120mm

SUPER XS - TIMBAL XS - COMET XS - JET XS

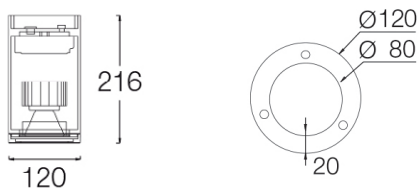
IP65 CYLINDRICAL LIGHTING FITTINGS

DESCRIPTION

- Fixture with cylindrical design with symmetrical light distribution.
- Protection rating against dust and moisture: complete IP65.
- Protection rating for resistance to harmful mechanical impacts: IK07.
- Robust body and trim made of die-cast aluminium coated with polyester powder along with C4 treatment for corrosion resistance to guarantee further durability. Textured paint finish. Different RAL colour finishes available under request. C5-M special coating for highly corrosive environments is available under request.
- 5 mm tempered protection glass clear as standard, other finishes under request.
- Polycarbonate diffuser as option to achieve IK10 protection degree.
- Temperature resistant silicone rubber gasket.
- Anti-condensation device.
- A4 stainless steel locking screw. Optional supply of A2 stainless steel vandal-resistant screws [reference F2.A0120+F2.A1].
- Built-in driver, included. Electronic options for lighting control: DALI.
- Passive temperature management: heat dissipation flows through the fixture body itself or through interior aluminium heat sink.

Suggested applications: porches, shopping centres, leisure areas, car parks, service stations, industrial facilities, outdoor ceilings in high humidity areas, or interior spaces that require low-maintenance. Solid ceilings or where there is not space for recessed mounting.

DIMENSIONS



TECHNICAL DETAILS LED MODULE

CRI >80	2700K	3000K	4000K	SCDM 3	4.7W min 845lm <> max 915lm
					8W min 1405lm <> max 1530lm
					9.7W min 1680lm <> max 1820lm

PHOTOMETRICS



SUPER XS



SURFACE-MOUNTED

TIMBAL XS



WALL-MOUNTED

COMET XS

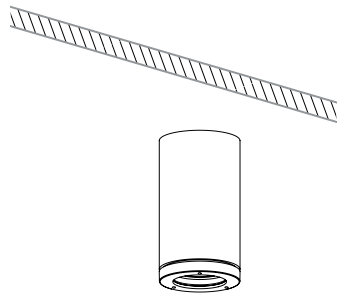


PENDANT

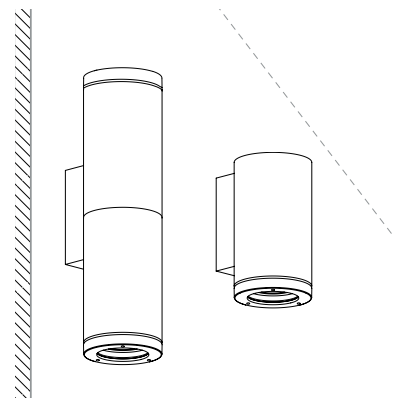
JET XS



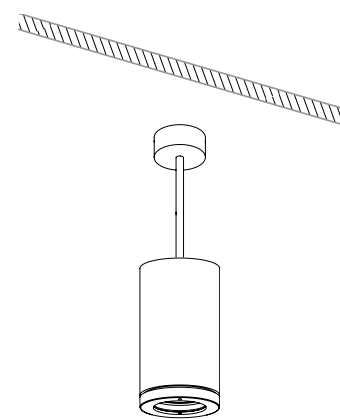
PROJECTOR



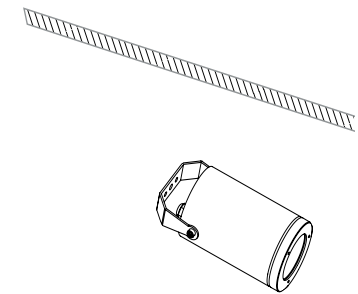
Mounting to the ceiling by two securing holes in a bracket.



Mounting to the wall through mounting plate with two fixing holes. Cable entry from the mounting plate.



Ceiling-mounted by cylindrical ceiling rose.



Mounting to the ceiling to the wall or to the floor by support with two securing holes that enables the device to be swiveled and adjusted to achieve specific lighting effects.

Finishes

Colour chart

								
RAL1015 Ref.19 Light Ivory	RAL1021 Ref.18 Colza Yellow	RAL1026 Ref.17 Luminous Yellow	RAL1036 Ref.5 Pearl Gold	RAL2000 Ref.20 Yellow Orange	RAL2002 Ref.16 Vermilion	RAL3026 Ref.15 Luminous Bright Red	RAL4003 Ref.22 Heather Violet	RAL4006 Ref.23 Traffic Purple
								
RAL5002 Ref.25 Ultramarine Blue	RAL5012 Ref.24 Light Blue	RAL5018 Ref.26 Turquoise Blue	RAL6005 Ref.29 Moss Green	RAL6010 Ref.28 Grass Green	RAL6018 Ref.27 Yellow Green			
								
RAL7011 Ref.32 Iron Grey	RAL7016 Ref.4 Anthracite Grey	RAL7032 Ref.30 Pebble Grey	RAL8017 Ref.31 Chocolate Brown	RAL8022 Ref.33 Black Brown	RAL9003 Ref.34 Signal White			
								
RAL9005 Ref.2 Jet Black	RAL9006 Ref.7 White Aluminium	RAL9010 Ref.1 Pure White	RAL9016 Ref.35 Traffic White	RAL9016 Ref.35 Traffic White	Satin Bronze			



STAINLESS STEEL 316L Marine Grade
Available for: Watertight, Watertight Shallow, Watertight SQ, Dot, Lotus, Terra, Terra SQ, Victoria and Lithos.



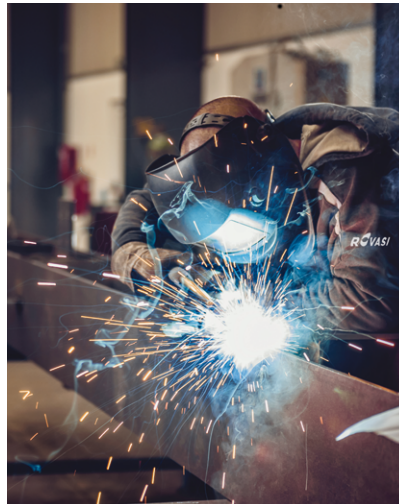
C5-M (Marine) COATING
Special coating for environments with very high corrosivity. Areas near to the coast and spaces with high salinity.



Other RAL colors or product finishes are available upon request.

Bespoke solutions

If we don't already have it, we create it



The engineer from our technical team and the adaptability of our installations enable us to study, design and manufacture custom lighting systems based on the requirements and needs of each project.

Our **installations** are fully equipped with the necessary resources and the best **specialised professionals** to take on any custom order. Every project is painstakingly studied by our **technical team**, involving all stages of the creative and productive process: conceptualisation and **design of our products**; 3D modelling; prototype manufacture; and successful final production of the new product.

We develop **custom products** based on the requirements and needs of each project, and do so in partnership with everyone involved in the lighting project (lighting designers, architects and engineers). We always **adapt** to the needs of the project, manufacturing a new product from the ground up based on a simple functional description or working from sketches provided by a customer or external designer.

Furthermore, we can make minor modifications to products that already exist or create entirely new ones based on your design criteria.

5 years guarantee

Total quality,
integral guarantee.

Quality lighting can only be created from quality luminaires. That's why ROVASI has always maintained a commitment to only offering premium products for our lighting solutions.

We only work with the best components. This enables us to offer a total guarantee that all the luminaires we design and manufacture meet the very highest quality standards and strictly comply with current regulations.

The quality of our products is translated into security and peace of mind once the project has been completed.

Because we want to share and transmit the benefits of this quality commitment with all our customers, all our range has a guarantee for 5 years.



ROVASI SL

Ronda de la Font-Grossa, 15
Pol. Ind. La Gavarra
08540 Centelles | Barcelona

www.rovasi.com

info@rovasi.com

Tel. +34 93 881 35 12

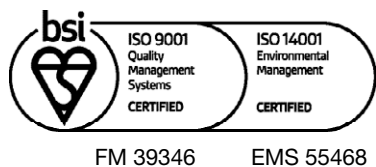
f facebook.com/rovasi.sl

t twitter.com/rovasi_sl

in linkedin.com/company/rovasi

ig instagram.com/rovasi_sl

ROVASI is a certified manufacturer:



ROVASI is a proud member of

IALDLIRC

**Barcelona
centre
de Disseny**

APDI