



T100



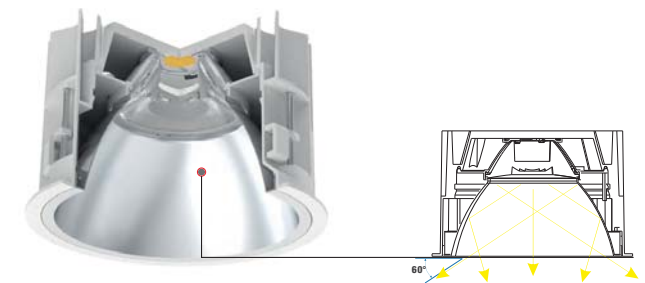
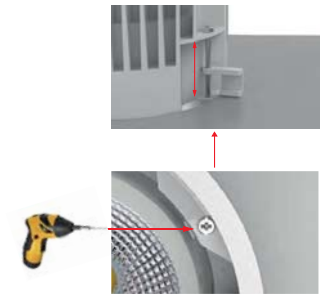
T150



T200

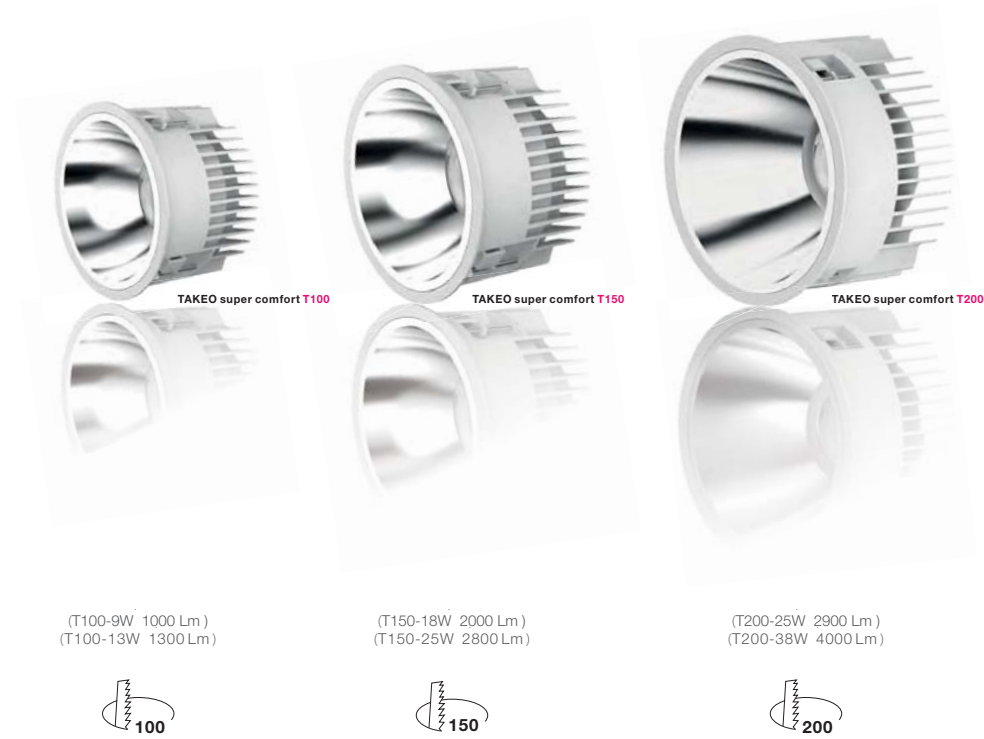


NEKO / TAKEO Series
Super Comfort LED Downlight

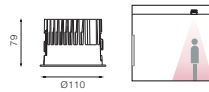


NEKO / TAKEO Series
Super Comfort LED Downlight

- Deep recessed design achieves super eye comfort.
- Attractive appearance with efficiency and functionality.
- Passive management ensures durability.
- Optimal lens technologies with narrow, medium and flood beam angles guarantee light quality.
- Interchangeable reflectors of matt, white and black colors. Provide maximum design freedom.
- Applicable to all typical downlight contexts.



NEKO / TAKEO / T100
Super Comfort LED Downlight



Kurze Info

- Richtige Wahl für Hotelbeleuchtung und Geschäfts-/Bürräume
- LED 2-step Mac Adam
- Aluminiumdruckguss-Kühlkörper

Short Info

- Perfect choice for hotel & office lighting
- LED 2-step MacAdam
- Diecast aluminium heatsink

Features



- Ceiling thickness: 1-30mm



- Low glare for optimal eye comfort

Order Information

T100-9W

CITIZEN LED powered by 280mA constant current LED driver, White trim, Matt reflector

Model	LED Power	System Power	LED Voltage	LED Current	CRI	CCT	BEAM	LED output	System output	Code
T100-9W-830-30D	9 W	11 W	36 V	260 mA	83	3000K	30°	1200 lm	1000 lm	L1001211M(X)
T100-9W-840-30D	9 W	11 W	36 V	260 mA	83	4000K	30°	1300 lm	1100 lm	L1001221M(X)
T100-9W-830-60D	9 W	11 W	36 V	260 mA	83	3000K	60°	1200 lm	1000 lm	L1001511M(X)
T100-9W-840-60D	9 W	11 W	36 V	260 mA	83	4000K	60°	1300 lm	1100 lm	L1001521M(X)

Remark: X= F (ON-OFF) X= P (Phase Dim) X= A (1-10V Dim) X= D (DALI Dim)

T100-13W

CITIZEN LED powered by 350mA constant current LED driver, White trim, Matt reflector

Model	LED Power	System Power	LED Voltage	LED Current	CRI	CCT	BEAM	LED output	System output	Code
T100-13W-830-30D	13 W	15 W	36 V	350 mA	83	3000K	30°	1600 lm	1300 lm	L1002211M(X)
T100-13W-840-30D	13 W	15 W	36 V	350 mA	83	4000K	30°	1700 lm	1400 lm	L1002221M(X)
T100-13W-830-60D	13 W	15 W	36 V	350 mA	83	3000K	60°	1600 lm	1300 lm	L1002511M(X)
T100-13W-840-60D	13 W	15 W	36 V	350 mA	83	4000K	60°	1700 lm	1400 lm	L1002521M(X)

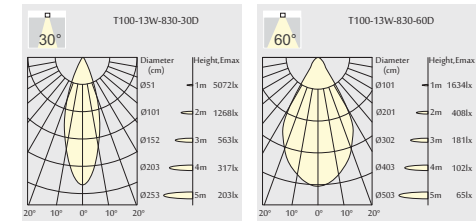
Remark: X= F (ON-OFF) X= P (Phase Dim) X= A (1-10V Dim) X= D (DALI Dim)

Optional accessory



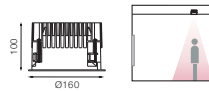
Light Distribution

3000K



For more info see: www.nekolighting.com

NEKO / TAKEO / T150
Super Comfort LED Downlight



Kurze Info

- Richtige Wahl für Hotelbeleuchtung und Geschäfts-/Büroräume
- LED 2-step Mac Adam
- Aluminiumdruckguss-Kühlkörper

Short Info

- Perfect choice for hotel & office lighting
- LED 2-step MacAdam
- Diecast aluminium heatsink

Features



- Ceiling thickness: 1-25mm



- Low glare for optimal eye comfort

Order Information

T150-18W

CITIZEN LED powered by 500mA constant current LED driver, White trim, Matt reflector

Model	LED Power	System Power	LED Voltage	LED Current	CRI	CCT	BEAM	LED output	System output	Code
T150-18W-830-30D	18 W	21 W	36 V	500 mA	83	3000K	30°	2500 lm	2000 lm	L1011211M(X)
T150-18W-840-30D	18 W	21 W	36 V	500 mA	83	4000K	30°	2700 lm	2200 lm	L1011221M(X)
T150-18W-830-60D	18 W	21 W	36 V	500 mA	83	3000K	60°	2500 lm	2000 lm	L1011511M(X)
T150-18W-840-60D	18 W	21 W	36 V	500 mA	83	4000K	60°	2700 lm	2200 lm	L1011521M(X)

Remark: X= F (ON-OFF) X= P (Phase Dim) X= A (1-10V Dim) X= D (DALI Dim)

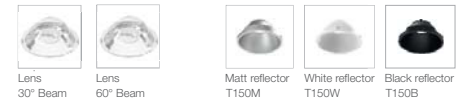
T150-25W

CITIZEN LED powered by 700mA constant current LED driver, White trim, Matt reflector

Model	LED Power	System Power	LED Voltage	LED Current	CRI	CCT	BEAM	LED output	System output	Code
T150-25W-830-30D	25 W	28 W	36 V	700 mA	83	3000K	30°	3500 lm	2800 lm	L1012211M(X)
T150-25W-840-30D	25 W	28 W	36 V	700 mA	83	4000K	30°	3700 lm	3000 lm	L1012221M(X)
T150-25W-830-60D	25 W	28 W	36 V	700 mA	83	3000K	60°	3500 lm	2800 lm	L1012511M(X)
T150-25W-840-60D	25 W	28 W	36 V	700 mA	83	4000K	60°	3700 lm	3000 lm	L1012521M(X)

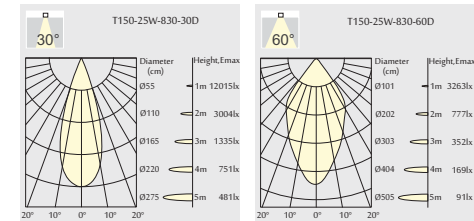
Remark: X= F (ON-OFF) X= P (Phase Dim) X= A (1-10V Dim) X= D (DALI Dim)

Optional accessory



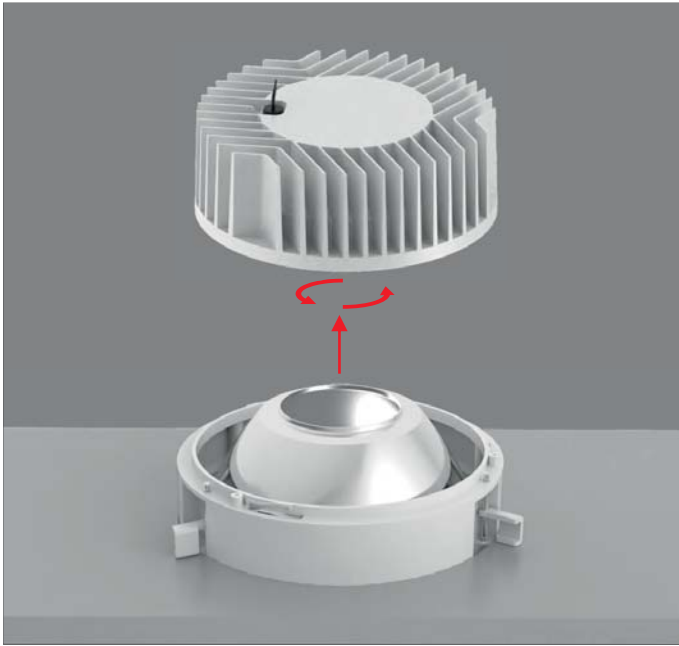
Light Distribution

3000K



For more info see: www.nekolighting.com

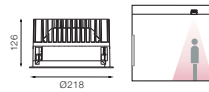
NEKO / TAKEO / T200
Super Comfort LED Downlight



Fixture can be taken off from the back of the ceiling, which is easy and convenient for maintenance.



NEKO / TAKEO / T200
Super Comfort LED Downlight



Kurze Info

- Richtige Wahl für Hotelbeleuchtung und Geschäfts-/Büroräume
- LED 2-step Mac Adam
- Aluminiumdruckguss-Kühlkörper

Short Info

- Perfect choice for hotel & office lighting
- LED 2-step MacAdam
- Diecast aluminium heatsink

Features



• Ceiling thickness: 1-25mm



• Low glare for optimal eye comfort

Order Information

T200-25W

CITIZEN LED powered by 700mA constant current LED driver, White trim, Matt reflector

Model	LED Power	System Power	LED Voltage	LED Current	CRI	CCT	BEAM	LED output	System output	Code
T200-25W-830-15D	25 W	28 W	36 V	700 mA	83	3000K	15°	3600 lm	2900 lm	L1021B11M(X)
T200-25W-840-15D	25 W	28 W	36 V	700 mA	83	4000K	15°	3800 lm	3100 lm	L1021B21M(X)
T200-25W-830-30D	25 W	28 W	36 V	700 mA	83	3000K	30°	3600 lm	2900 lm	L1021211M(X)
T200-25W-840-30D	25 W	28 W	36 V	700 mA	83	4000K	30°	3800 lm	3100 lm	L1021221M(X)
T200-25W-830-60D	25 W	28 W	36 V	700 mA	83	3000K	60°	3600 lm	2900 lm	L1021511M(X)
T200-25W-840-60D	25 W	28 W	36 V	700 mA	83	4000K	60°	3800 lm	3100 lm	L1021521M(X)

Remark: X= F (ON-OFF) X= P (Phase Dim) X= A (1-10V Dim) X= D (DALI Dim)

T200-38W

CITIZEN LED powered by 1050mA constant current LED driver, White trim, Matt reflector

Model	LED Power	System Power	LED Voltage	LED Current	CRI	CCT	BEAM	LED output	System output	Code
T200-38W-830-15D	38 W	42 W	36 V	1050 mA	83	3000K	15°	5000 lm	4000 lm	L1022B11M(X)
T200-38W-840-15D	38 W	42 W	36 V	1050 mA	83	4000K	15°	5200 lm	4200 lm	L1022B21M(X)
T200-38W-830-30D	38 W	42 W	36 V	1050 mA	83	3000K	30°	5000 lm	4000 lm	L1022211M(X)
T200-38W-840-30D	38 W	42 W	36 V	1050 mA	83	4000K	30°	5200 lm	4200 lm	L1022221M(X)
T200-38W-830-60D	38 W	42 W	36 V	1050 mA	83	3000K	60°	5000 lm	4000 lm	L1022511M(X)
T200-38W-840-60D	38 W	42 W	36 V	1050 mA	83	4000K	60°	5200 lm	4200 lm	L1022521M(X)

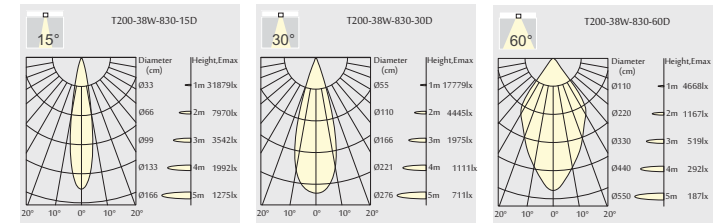
Remark: X= F (ON-OFF) X= P (Phase Dim) X= A (1-10V Dim) X= D (DALI Dim)

Optional accessory



Light Distribution

3000K



For more info see: www.nekolighting.com