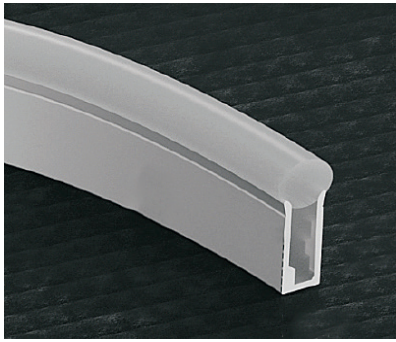
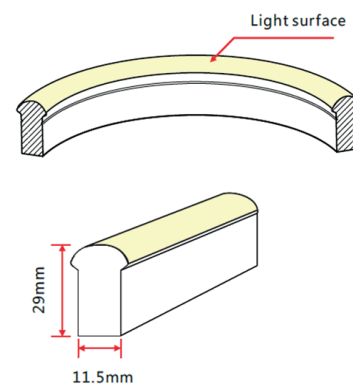


LED Neon Flex Ribbon C-FR-F21B



Egenskaper

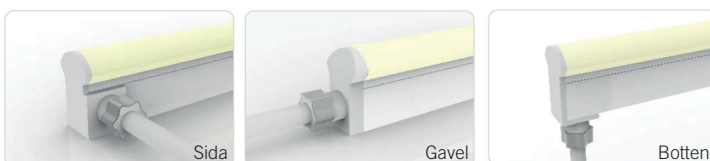
1. High quality and high brightness SMD LED chip.
2. Protection Circuit: Each LED Protected.
3. Variety of monochromatic lights for option including White light.
4. UV & flame resistant construction(PVC).
5. Domed profile for large beam angle(160°).
6. High color consistency&smooth illumination with no light dots.
7. Flexible with 120mm minimum bending diameter.
8. Easy installation and assembly with DIY accessories for joining and terminating.
9. High IP rating(IP68).
10. The product IP rate is ultimately in line with properly applied IP rated connectors.
11. Continuous length up to 10m by powering one end.
12. Environmentally friendly & energy efficient.
13. Automated production, high reliability & long warranty.



Tekniska parametrar

Technical Parameters			
Article No.	C-FR-F21B-24CC	C-FR-F21B-24CC	C-FR-F21B-24CC-R80
Color	Red/Amber/Orange	Green/Blue	White
Working Voltage	DC 24V	DC 24V	DC 24V
Rated Power/m	8W	12W	12W
LED Qty/m	72LEDs	72LEDs	72LEDs
LED Distance	13.89mm	13.89mm	13.89mm
Min. Cutting Unit	9LEDs(1unit)	6LEDs(1unit)	6LEDs(1unit)
Min. Cutting Length	125mm(1unit)	83.3mm(1unit)	83.3mm(1unit)
Continuous Length	15m	10m	10m
Weight/m	490g		
Storage Temperature	-20~60°C		
Ambient Working Temperature	-20~45°C		
Ambient Installation Temperature	0~45°C		
IP Rating	IP68		

Anslutningar IP67



Aluminiumprofil

